



Available Finishes: White (KSR7252) or Aluminium (KSR7252ALU)

Read these instructions before commencing installation. Please give these instructions to the owner/occupier after installation to retain for future reference/maintenance.

IP20 240VAC~50Hz 35W Max.

These fittings are Class I and must be Earthed

Important Information

It is recommended that these luminaires are installed and fitted by a qualified electrician ensuring the installation complies with current IEE wiring regulations & local building control. These products are designed for connection to a 240V~50Hz supply.

Any faulty, broken or damaged luminaires should be replaced immediately.

KSR will not accept responsibility for any claims arising from a poor installation.

Please Note: The limited warranty shall be deemed null and void in the following circumstances: Failure by the installer, end user or any third party to exercise caution to protect any covered product or part from outside damage, adverse temperature, humidity conditions, fluctuations in the electrical system or physical abuse as well as failure related to workmanship in the installation of the products or parts.

Important User Advice

Always switch off mains supply before servicing.

KSR recommend greasing all threaded parts and cleaning the body every 3 months minimum.

At the end of life the luminaire is classed as WEEE under directive 2014/30/EU and should be disposed of in accordance with local legislation.

Installation Procedure

Familiarize yourself with the luminaire/installation procedure and ensure the power is safely isolated before installing the luminaire.

Identify a suitable area(s) for the pendant to be mounted in and ensure the surface being mounted onto is smooth and suitable for the product type

Release both screws at the base of the ceiling rose and loosen off just enough to allow the ceiling rose to rotate free of the mounting bracket see fig 1

With the mounting plate free, offer up the mounting bracket to the mounting surface and prepare ceiling for fixings provided

With fixing positions prepared fasten fixings onto mounting bracket until secure

Using the terminal block provided terminate wiring Brown to Live, Blue to Neutral and Green/Yellow to Earth

see fig 2

With terminations completed resecure ceiling rose onto mounting bracket ensuring no cables are pinched or nicked (fig 1).

With Pendant now securely mounted proceed to fit a suitable GU10 lamp(s), please use lamps with a power no greater than 35w. The front bezel clicks onto the GU10 lamp front lens, this enables you to pull the lamp out at a later date for maintenance or replacement.

Finally turn on power and test pendant

Please note drop length of Pendant can be adjusted in the ceiling rose according to application, max drop length is 1500mm

Fig 2.

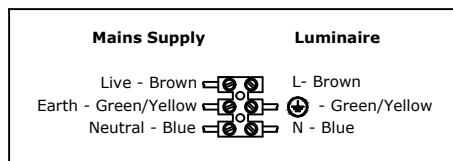


Fig 1.

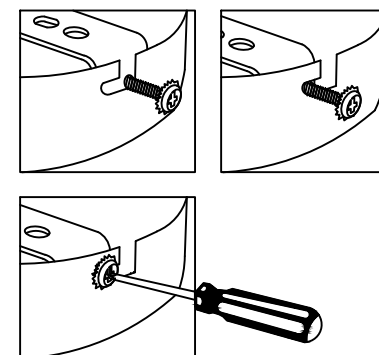
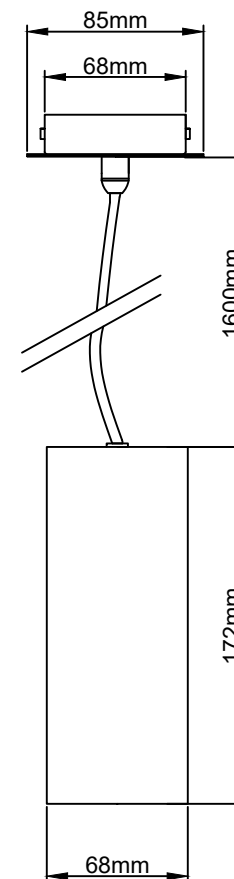
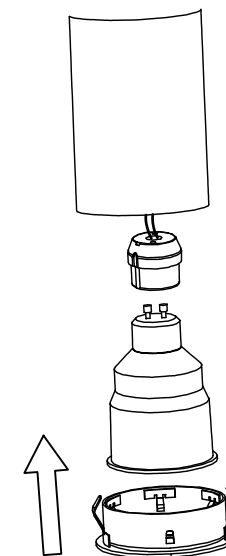
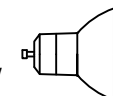


Fig 3.



Lamp Details

Lamp Cap: GU10
Max Wattage: 35w



KSR Lighting recommend only branded lamps
For example: KSR, Sylvania, GE, Philips or Osram



KSR Lighting Aftersales: 023 92 674343
E-mail: aftersales@ksrlighting.com